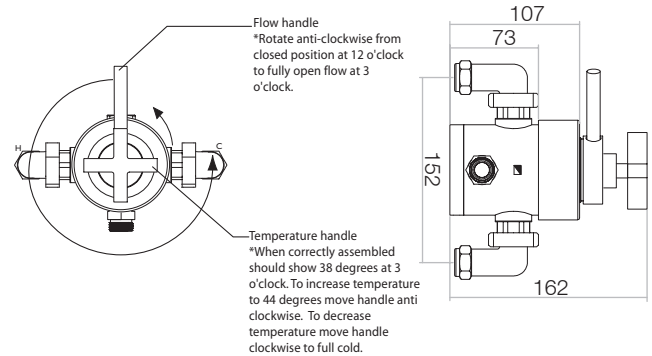


Product Information

- * Suitable for all plumbing systems.
- * TMV2 approved to BS EN1111 and BS EN1287 for high and low pressure installations.
- * WRAS approved.
- * Easy to use separate flow and temperature control.
- * Automatic shut down if water pressure should suddenly fail, ensuring complete safety.
- * Precise thermostatic control, maintaining selected temperature to within +/- 1.5°C.
- * Cartridge resistant to lime scale build up even in hard water areas.
- * 15mm compression fitting inlets. G1/2" BSP outlets.
- * Installation compatible for top and bottom wall outlet. Blanking plug supplied.
- * Flat face unions on the elbows into the valve to ease assembly and maintenance (Valve can be removed with elbows in place attached to pipework).
- * Reversible one piece thermostatic cartridge. Easy to reverse if valve installed the wrong way around.
- * Works with unbalanced pressure up to a maximum of 5:1 ratio.
- * Suitable for water pressures up to a maximum of 4.0 Bar. Operating pressures above 4.0 Bar will require the installation of pressure reducing valves.
- * To guarantee that the valve temperature cannot exceed the safe temperature of 44°C, the temperature control is fitted with a safety stop mechanism set upon installation.
- * Durable solid brass body and cover plate.
- * 10 year guarantee.



Operating Conditions

Valves cannot operate effectively where a hot or cold pressure system crosses the boundaries of the two ranges. See table below:

	Low Pressure BS1287	High Pressure BS1111
MAX Static (BAR)	10	10
Flow Pressure (BAR) Hot and Cold	0.1 - 1.0	0.1 - 4.0
Hot Supply (°C)	55 - 65	55 - 65
Cold Supply (°C)	MAX 25	MAX 25
Mixed Water (°C)	MAX 44	MAX 44



Concealed and Exposed Concentric Cartridge

- * One piece
- * Reversible
- * Anti lime scale

Customer Hotline

Should you require any further information or technical assistance on our range of showers, please call our customer service hotline on 01225 303 900. All Roper Rhodes showers are supplied with full installation instructions.

