

Heritage

Corner Shelf

AHC15
AHA15

FEATURES

- Solid Brass Construction
- Traditional Design
- Chrome or Antique Gold
- Tempered Glass
- Exposed Fixing
- 5 Year Guarantee



FINISHES AVAILABLE

Chrome	AHC15
Antique Gold	AHA15

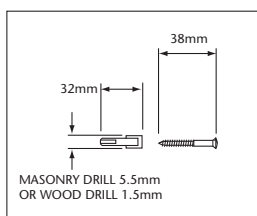
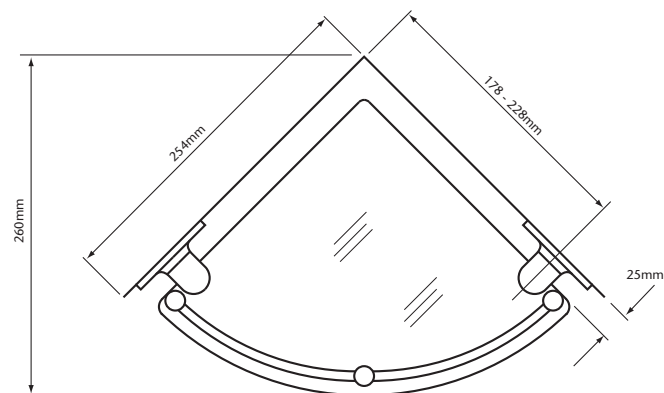
INCLUDED COMPONENTS

Corner Shelf	
Boxed Weight	2 Kgs
Box Size	273 x 305 x 89mm

PRODUCT DETAILS

Includes screws and fixings.
Features 6mm thick glass, cut, polished and tempered for safety.

DIMENSIONS



SCREWS (AND PLASTIC ANCHORS FOR MASONRY)
4 PER BOX

