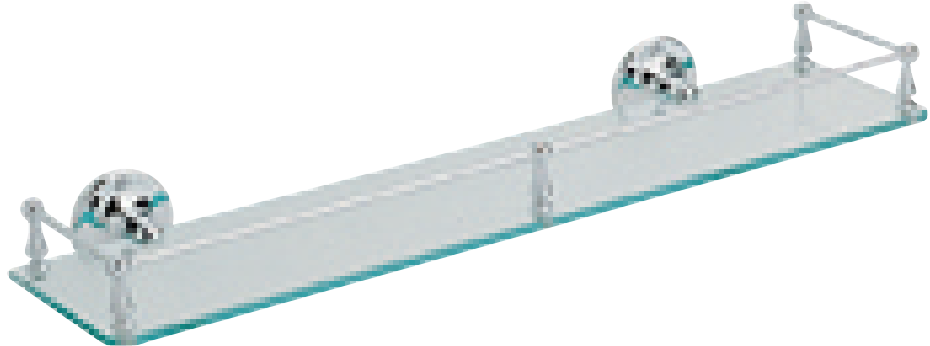


FEATURES

- Solid Brass Construction
- Traditional Design
- Chrome or Antique Gold
- Tempered Glass
- Exposed Fixing
- 5 Year Guarantee



FINISHES AVAILABLE

Chrome	AHC08
Antique Gold	AHA08

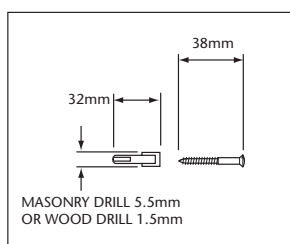
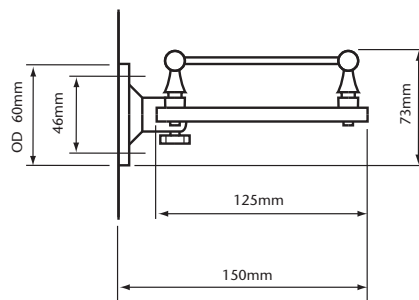
INCLUDED COMPONENTS

Glass Shelf	1.7 Kgs
Boxed Weight	
Box Size	552 x 178 x 95mm

PRODUCT DETAILS

Includes screws and fixings.
Features 6mm thick glass, cut, polished and tempered for safety.

DIMENSIONS



SCREWS (AND PLASTIC ANCHORS FOR MASONRY)
4 PER BOX

